



DIGIGAUGE

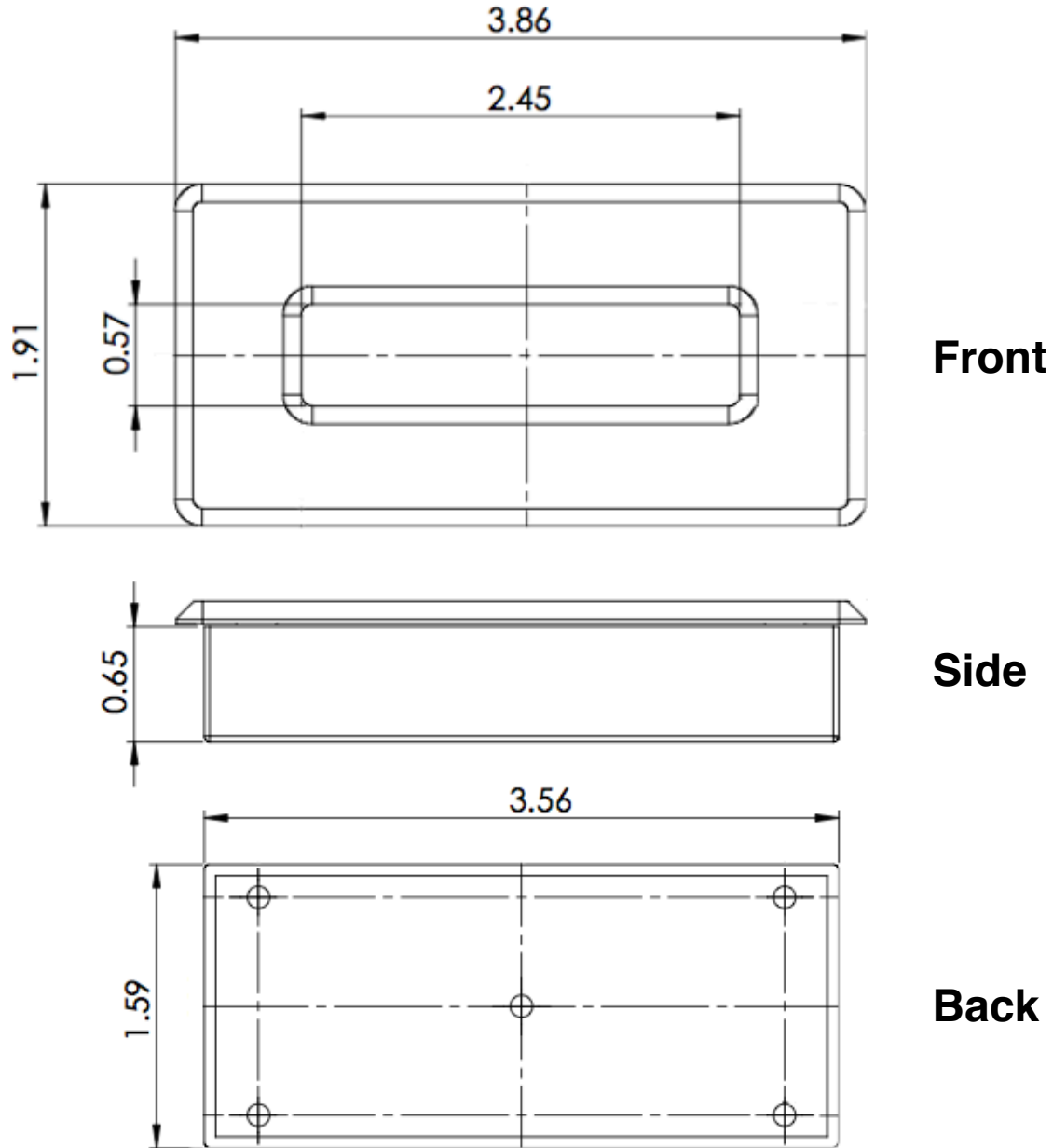
LCD SCREEN

INSTRUCTION MANUAL



v1.1

TEMPLATE



INSTALLATION / CARE

- Use the provided template (above) when removing material to ensure a flush installation.
- If the display surface becomes contaminated, breathe on the surface and gently wipe it with a soft dry cloth. If it is heavily contaminated, wipe it gently with absorbent cotton soaked in Isopropyl alcohol or Ethyl alcohol. Scrub gently to avoid damaging the display surface.
- Wipe off saliva or water immediately. Contact with water over a long period of time may cause deformation or color fading.
- Avoid contact with oil or any greasy substances.

Note: If this page is re-printed then the above template may not be to scale.